



Cell Disruption Solutions

## B & C Series

The B & C Series are the ultimate industry cell disrupters, with the power and processing ability to consistently disrupt the materials that you require.



| Power Rating | Flow Rates vs Maximum Pressure |                    |                    |                    |
|--------------|--------------------------------|--------------------|--------------------|--------------------|
|              | 40 KPSI (2700 bar)             | 30 KPSI (2000 bar) | 20 KPSI (1350 bar) | 15 KPSI (1000 bar) |
| 1.1 KW       | 100ml/min                      | 140ml/min          | 200ml/min          | 275ml/min          |
| 2.2 KW       | 170ml/min                      | 235ml/min          | 340ml/min          | 470ml/min          |
| 4 KW         | 400ml/min                      | 550ml/min          | 800ml/min          | 1.1L/min           |

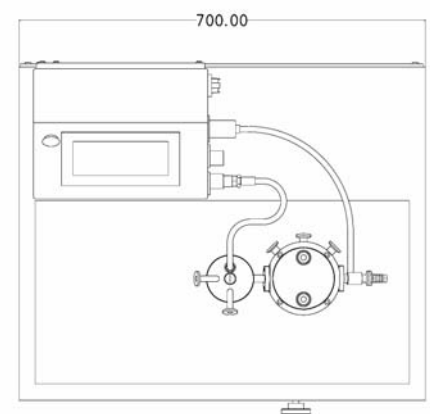
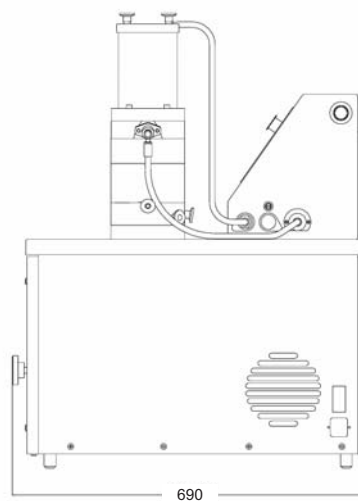
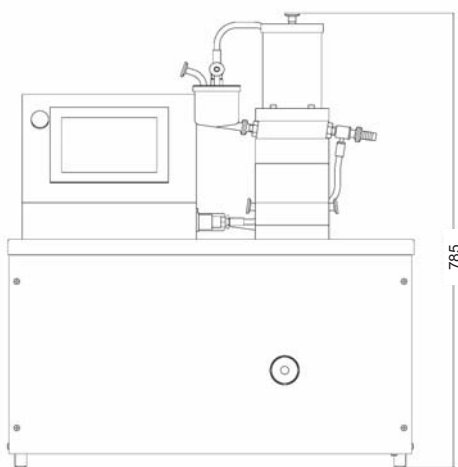


Cell Disruption Solutions

## B & C Series

- Incorporates our unique disruption head, precise hydraulic operating and control system with an automatically supplied, continuous flowing Cell Disrupter with CIP and SIP capability
- Disruption pressure easily and accurately set and displayed digitally with a range of 1KPSI through to 40KPSI as standard
- Cell Disrupter controls peristaltic process pump for automatic supply of sample. Process pump available on request
- Fully contained and having internal ports and drain ports to allow CIP and SIP
- The “B Series” allows the CIP and SIP to be manually operated
- The “C Series” includes all valves which can be tailored to customers requirements and validated
- Materials in contact with sample, 316L stainless steel or equivalent, synthetic sapphire, EPDM, GLFPTFE & PEEK 450G
- IQ/OQ available on request
- Various flow rates depending on maximum pressure and power rating
- Pressure consistent and stable during disruption cycle
- Temperature control and dimensions as per TS Series

**Validation:** Industry standard validations available on request



*\*B Series Bench Top model shown*